

IKON V2300

Technical Information Pack

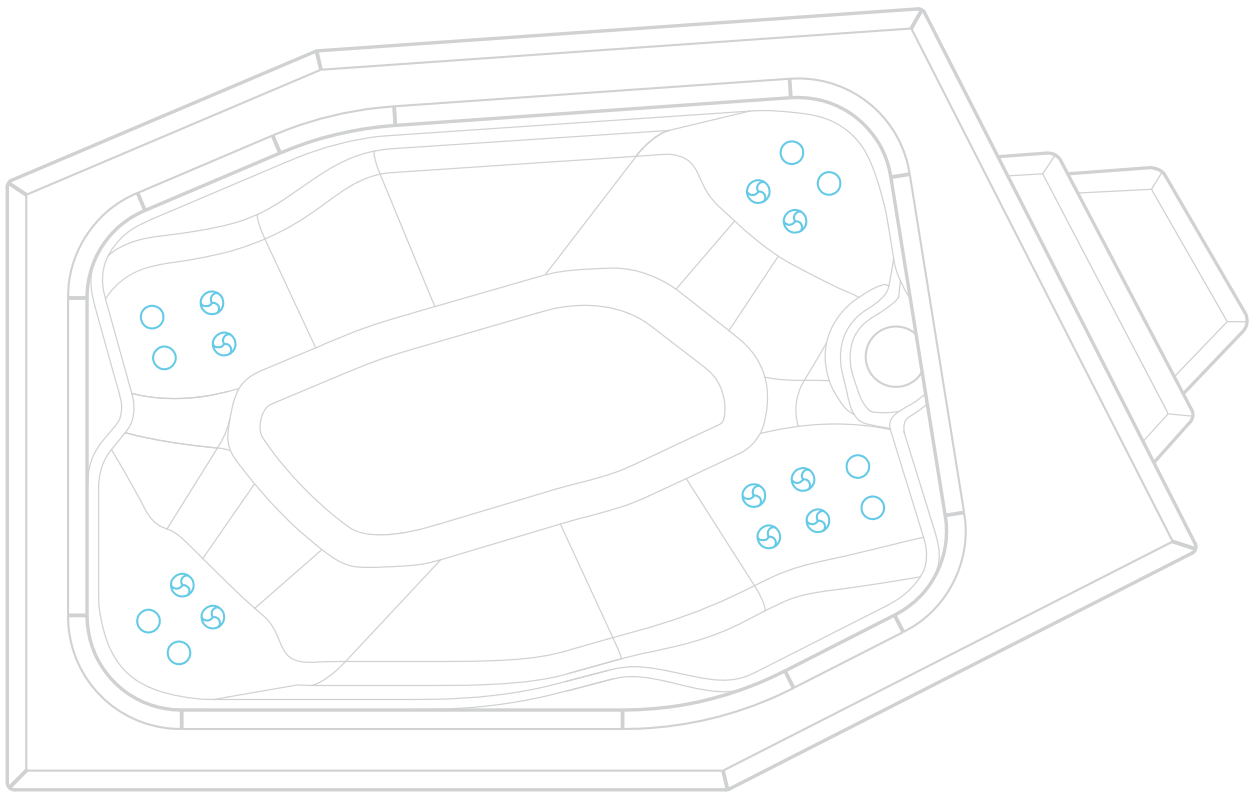


Vortex Spas



IKON Spa

Dimensions: 364 x 225 x 90cm

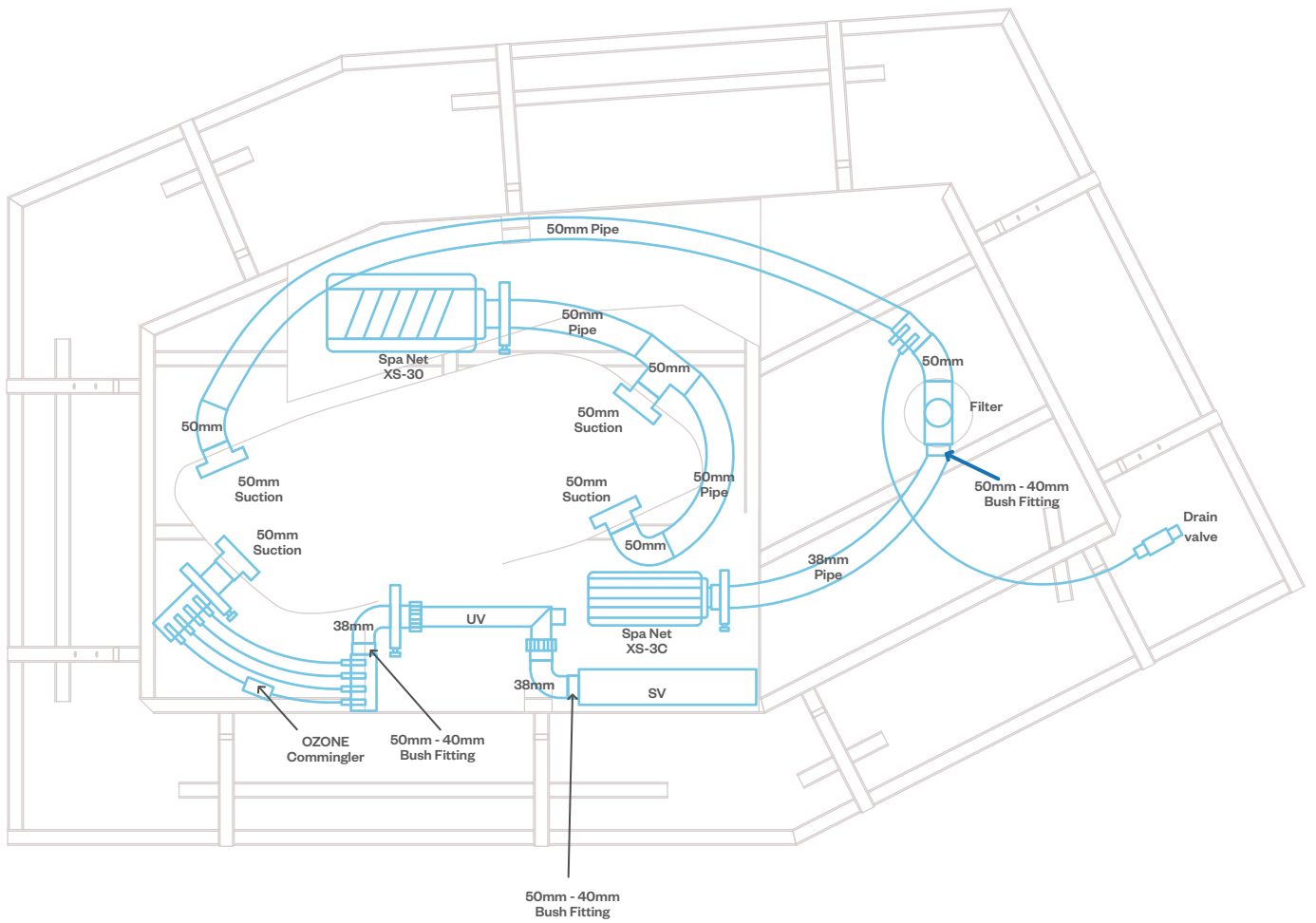


 10 x 100mm Single Spinning Jets

 8 x 100mm Directional Jets

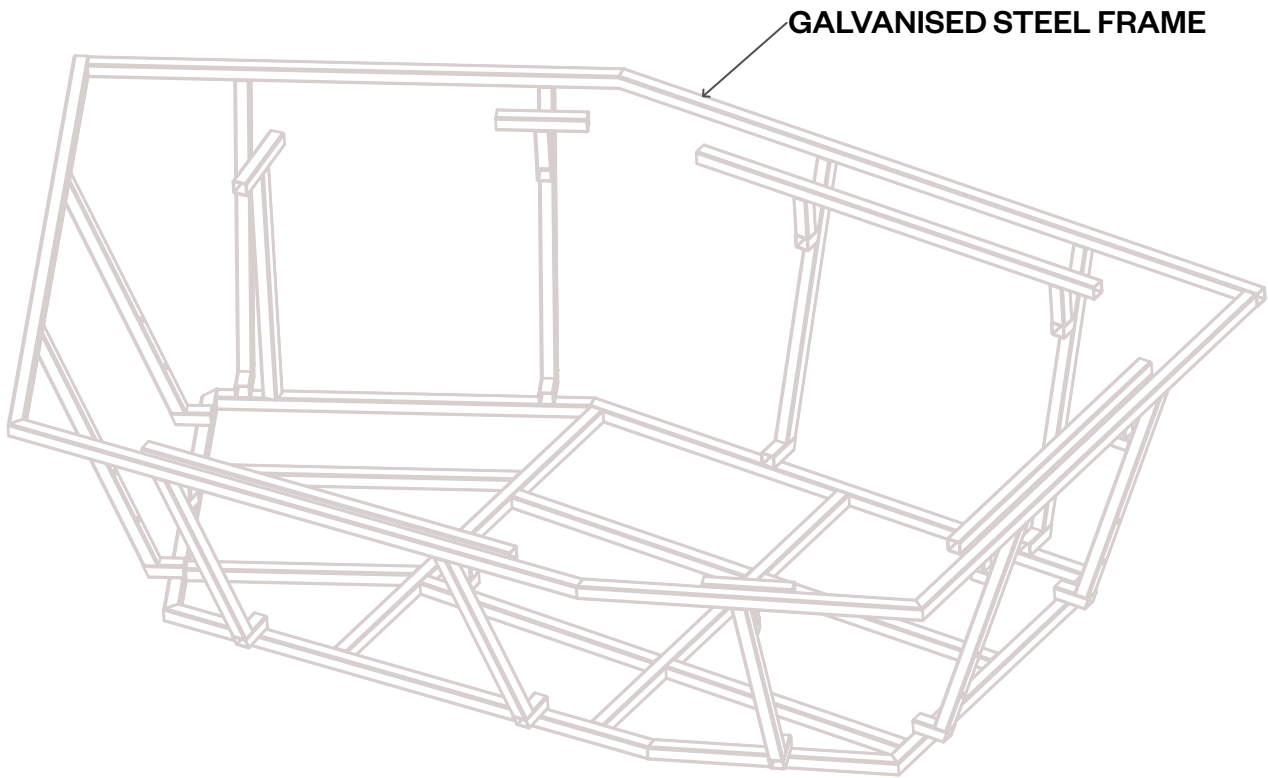


IKON Spa



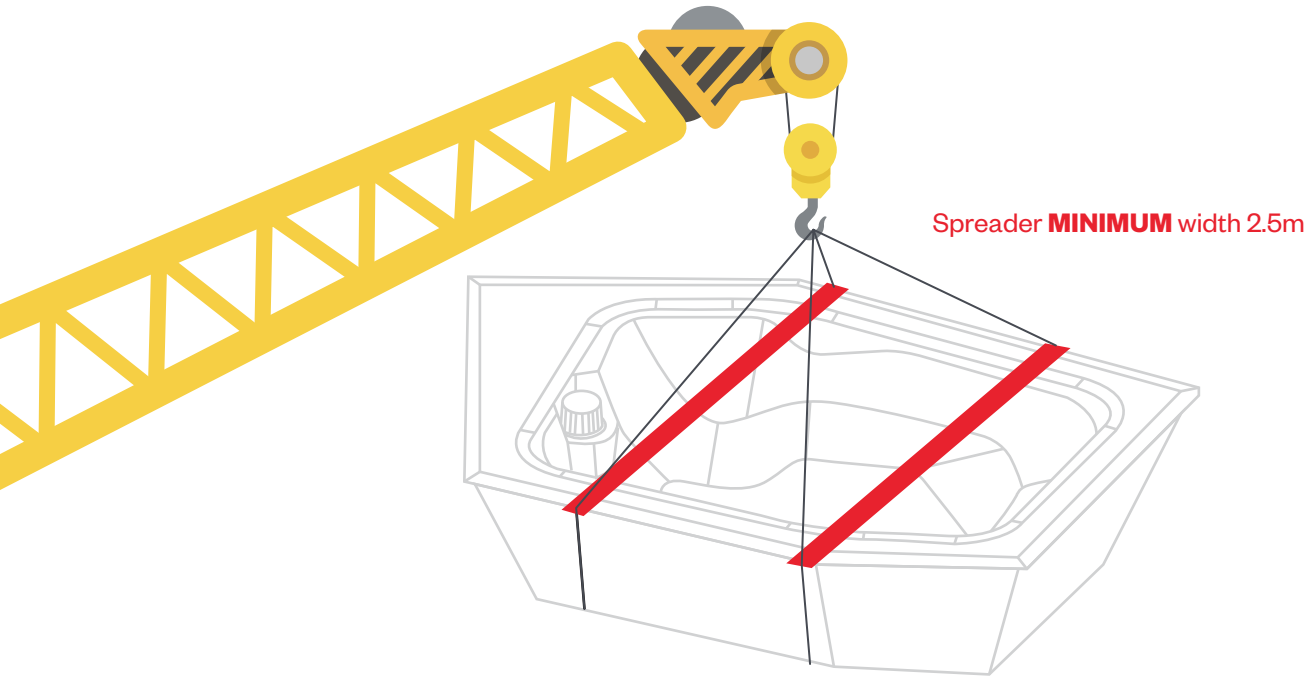


IKON Spa

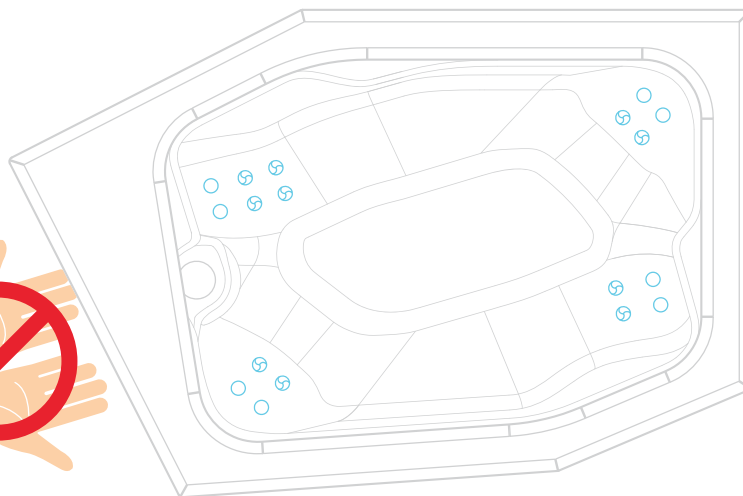




IKON Spa



NEVER lift deck



ALWAYS lift internal steel frame



IKON Spa

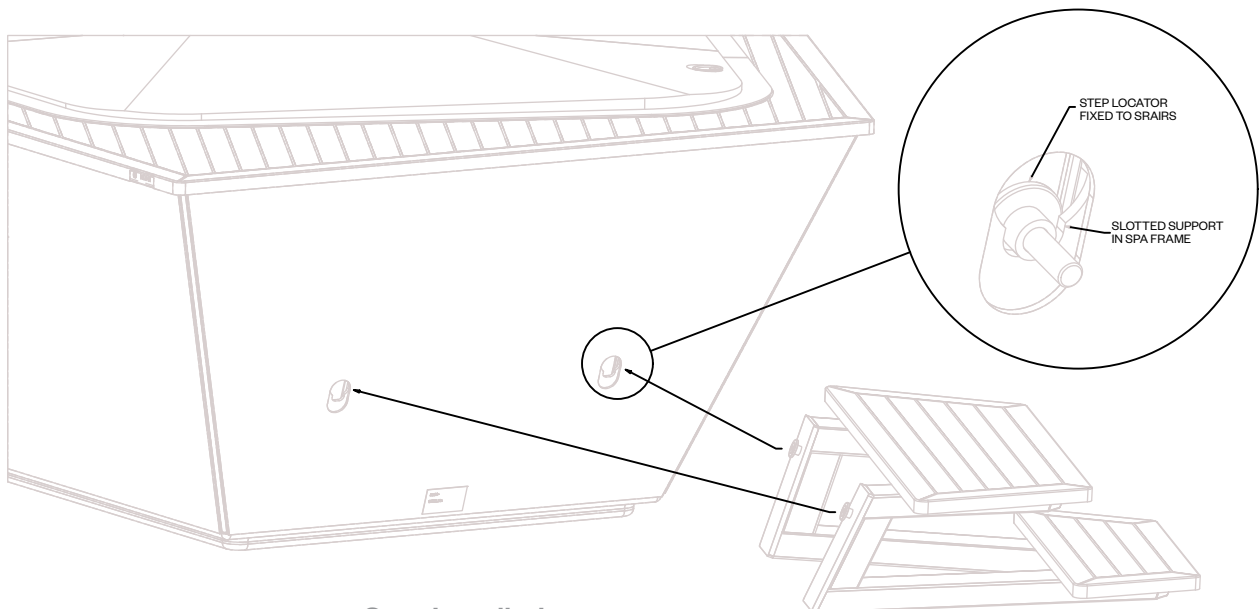
IKON assembly



Pictorial view - stair position 1



Pictorial view - stair position 2



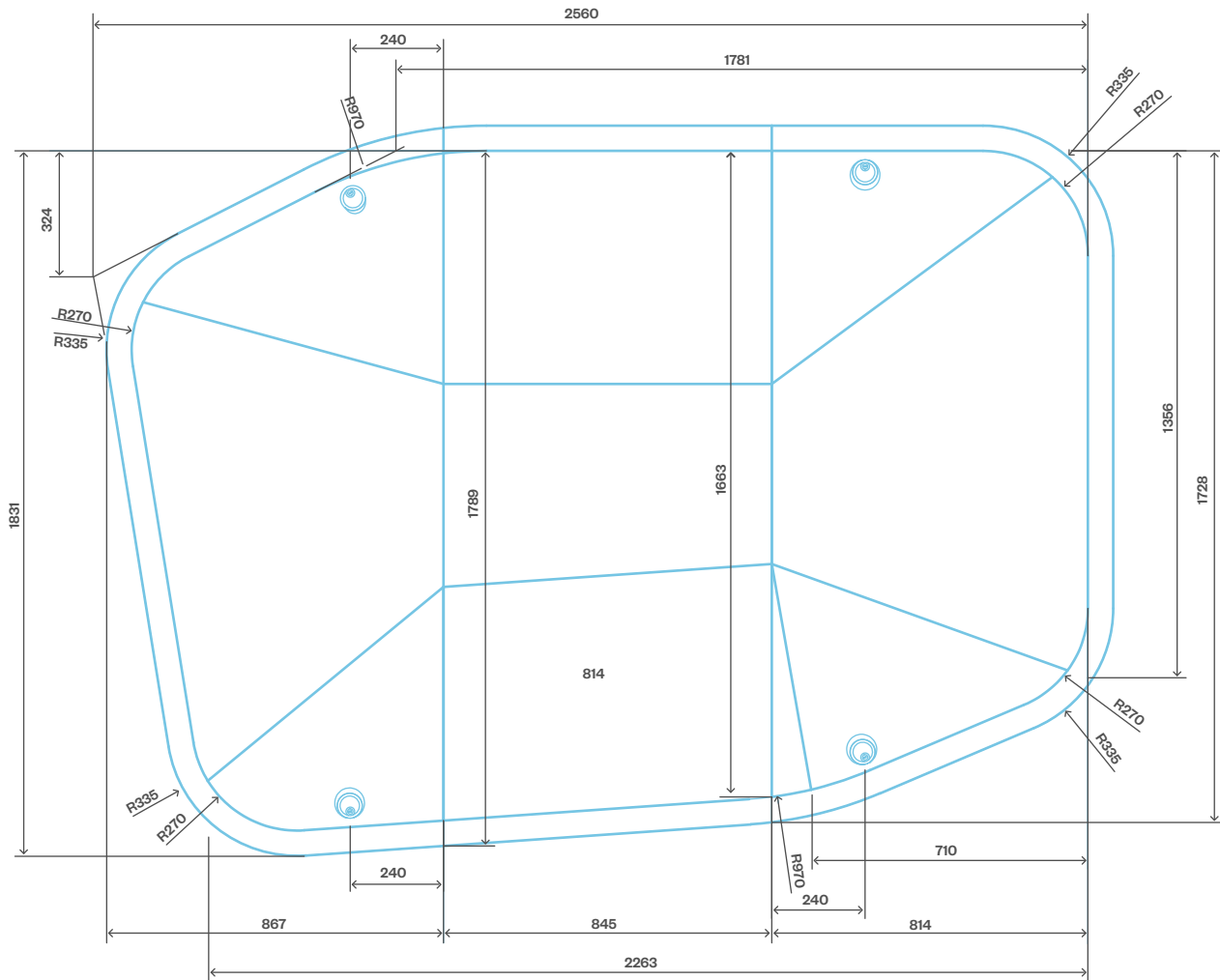
Step Installation

1. Align the step locator with the slotted supports in the spa.
2. Push downward to secure in place.

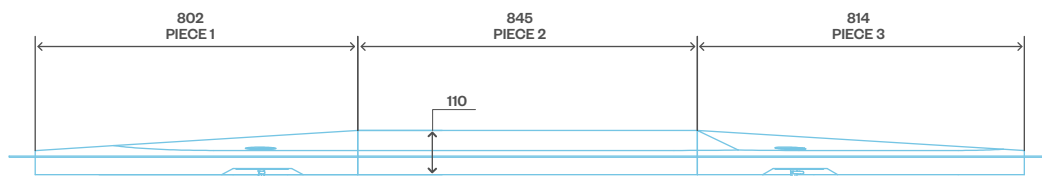
Reverse sequence for removal.



IKON Spa



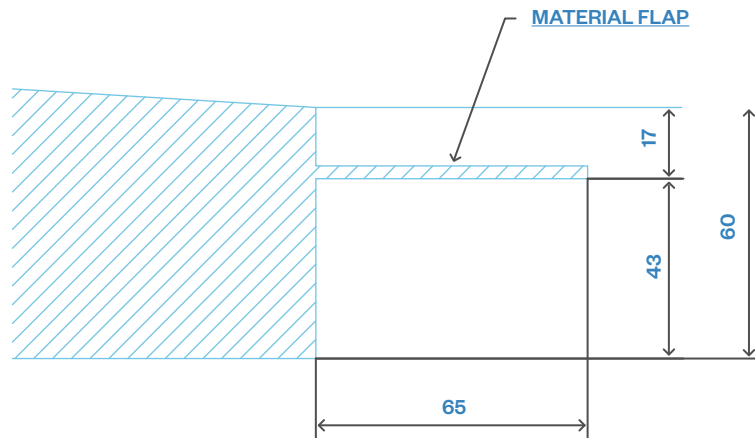
FOAM COVER ASSEMBLY
NOTE: DIMENSIONS TO EDGE OF FOAM
SCALE (1 : 7.5)



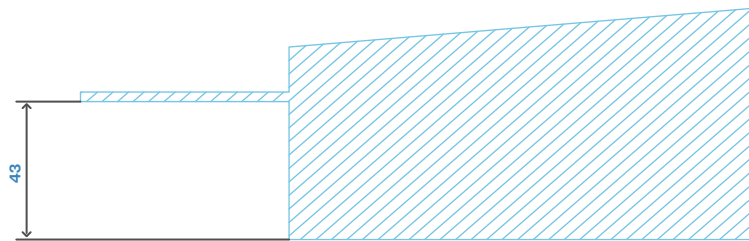
SIDE VIEW
SCALE (1 : 7.5)



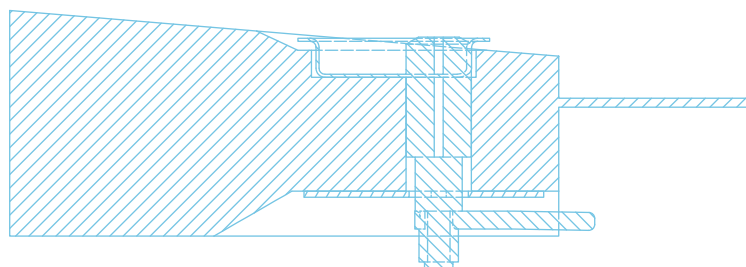
IKON Spa



SECTION B-B
SCALE (1:1)



SECTION C-C
SCALE (1:1)



SECTION D-D
SCALE (1:1)

IKON



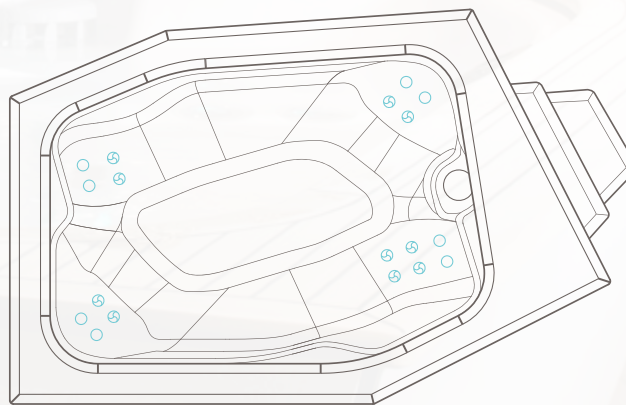
Specifications


Model	IKON V2300
Dry weight	430kg
Filled weight	1589kg
Intuitive spa controller	VSX2
Programmable circulation pump	XS3C Quietflow
Jet pump	XS30 Jetmaster
Variable output heater	3kW max
Electrical requirements	15amps max
Dimensions	3.43 x 2.25 x 0.9m
With steps	3.64 x 2.25 x 0.9m

Warranties

Frame	Lifetime
Shell structure	10 years
Acrylic surface	5 years
Jets, plumbing & heater	5 years
Pumps & equipment	2 years

Jet Layout



 10 x 100mm
Single Spinning Jets

 8 x 100mm
Directional Jets

Features

Build
Flexiteek spa deck
Aluminium composite cabinet
Screwless quick release access
Removable floating Flexiteek steps
Superior Aristech acrylic finish
Thermobond oven cured shell
4 deck/cabinet colour combinations
Steel frame construction
High impact moulded ABS base
Duraflex 'no kink' PVC plumbing

Water care
Purezone UV sterilising system
CD Ozone water clarifying system

Lighting
Programmable lighting
Underwater LED floodlight
Hydroglow LED jet lighting

Hydrotherapy
Hydroflow spinning jets
Stainless steel jet casings
Hydrotherapy loungers

Control
SpaNet touchscreen interface
SpaNet premium control systems
Smart phone app remote control
WIFI connectivity

Efficiency
Intelligent thermal tuning
Sunbrella® lockable thermal hardcover
Premium multi layer insulation
Hybrid heat pump*
Arctic pack insulation*

*optional